

FEATURE:

- Connector SMA(F) or N-type
- Low Insertion Loss
- Small phase&Amplitude Errors
- High Isolation
- Small Size and Reasonable Sturcture



APPLICATIONS:

- Communication System
- Test Equipment
- Radar sysetem

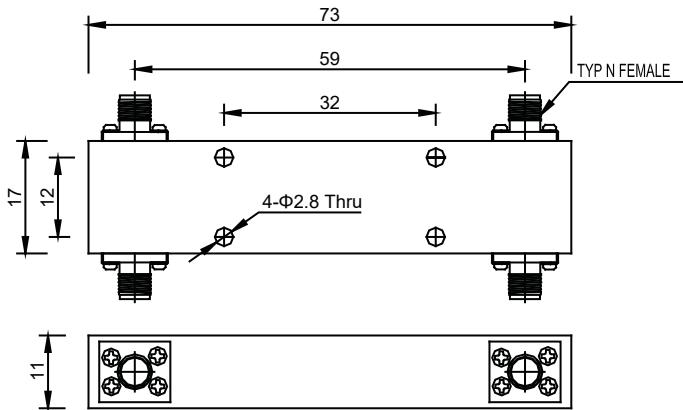
SPECIFICATIONS@25°C:

Part Number	Frequency Range (GHz)	Isolation (dB Min)	VSWR (Max.)	Insertion Loss (dB)	Amplitude Balnce (dB Max)	Phase Balance (deg.Max)	Power Handling (CW.Avg)	Case Type
MCD005001H3H	0.1-0.512	18	1.3	0.6	±0.6	±5	100	HD23
MCD002005H3M	0.225-0.512	18	1.3	0.6	±0.6	±5	100	HD25(N)
MCD004009H3M	0.45-0.9	22	1.2	0.3	±0.5	±3	50	HD01/HD02
MCD005010H3M	0.5-1	22	1.2	0.3	±0.5	±3	50	HD01/HD02
MCD005020H3L	0.5-2	22	1.2	0.4	±0.5	±5	50	HD28
MCD005020H3M	0.5-2	20	1.25	0.6	±0.6	±2	50	HD17
MCD005060H3M	0.5-6	18	1.4	1	±0.8	±7	30	HD11
MCD007015H3M	0.75-1.5	22	1.2	0.3	±0.5	±3	50	HD01/HD02
MCD008025H3M	0.8-2.5	22	1.2	0.5	±0.3	±3	50	HD19
MCD010020H3L	1-2	22	1.3	0.5	±0.6	±5	10	HD01/HD02
MCD010020H3M	1-2	22	1.2	0.3	±0.5	±3	50	HD13
MCD010040H3L	1-4	20	1.4	0.5	±0.6	±5	10	HD01/HD02
MCD010040H3M	1-4	20	1.25	0.6	±0.5	±5	50	HD16
MCD010124H3C	1-12.4	20	1.4	1.3	±0.6	±5	30	HD18
MCD010124H3M	1-12.4	18	1.4	1.3	±0.7	±5	50	HD014
MCD010124H3H	1-12.4	20	1.4	1.3	±0.6	±5	30	HD18(S)
MCD012014H3M	1.2-1.4	20	1.2	0.25	±0.3	±3	50	HD01/HD02
MCD015017H3H	1.5-1.7	20	1.25	0.3	±0.3	±3	400	HD22(N)
MCD020040H3L	2-4	20	1.2	0.5	±0.6	±5	10	HD01/HD02
MCD020040H3M	2-4	20	1.2	0.4	±0.5	±3	50	HD01/HD02
MCD020060H3M	2-6	18	1.3	0.5	±0.6	±5	10	HD01/HD02
MCD020080H3L	2-8	18	1.3	0.6	±0.6	±6	10	HD01/HD02
MCD020080H3M	2-8	18	1.3	0.8	±0.6	±5	50	HD5
MCD020080H3H	2-8	20	1.25	0.7	±0.5	±5	50	HD12
MCD020180H3M	2-18	20	1.4	1.2	±0.5	±5	30	HD12
MCD020180H3L	2-18	20	1.4	1.2	±0.5	±5	30	HD12

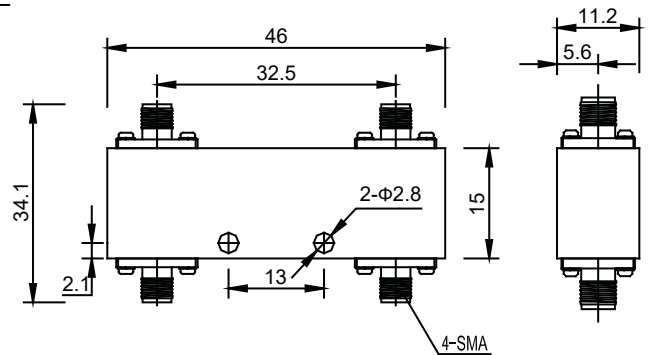


90° HYBRID COUPLER

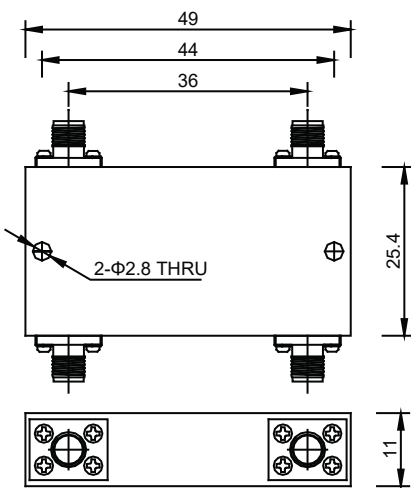
Part Number	Frequency Range (GHz)	Isolation (dB Min)	VSWR (Max.)	Insertion Loss (dB)	Amplitude Balance (dB Max)	Phase Balance (deg.Max)	Power Handling (CW.Avg)	Case Type
MCD022024H3M	2.2-2.4	22	1.2	0.3	±0.5	±3	50	HD5
MCD040080H3L	4-8	18	1.4	0.5	±0.6	±5	10	HD01/HD02
MCD040080H3M	4-8	18	1.3	0.45	±0.6	±3	50	HD4
MCD040120H3M	4-12.4	16	1.5	1	±0.7	±4	50	HD6
MCD040180D3M	4-18	18	1.4	1.2	±0.5	±5	50	HD20(D)
MCD040180H3M	4-18	18	1.4	1.2	±0.5	±5	50	HD20
MCD060180H3M	6-18	15	1.6	1.6	±0.8	±6	10	HD01/HD02
MCD060180H3H	6-18	16	1.5	1.3	±0.8	±8	50	HD3
MCD070100H3L	7-10	17	1.35	1.3	±0.4	±7	20	TBD
MCD080085H3M	8-8.5	17	1.4	0.6	±0.4	±3	30	HD9
MCD080120H3M	8-12	18	1.5	0.8	±0.6	±5	10	HD01/HD02
MCD080180H3M	8-18	16	1.5	1.5	±0.8	±8	50	HD3
MCD120180D3M	12-18	18	1.4	1.2	±0.5	±8	50	HD21(D)



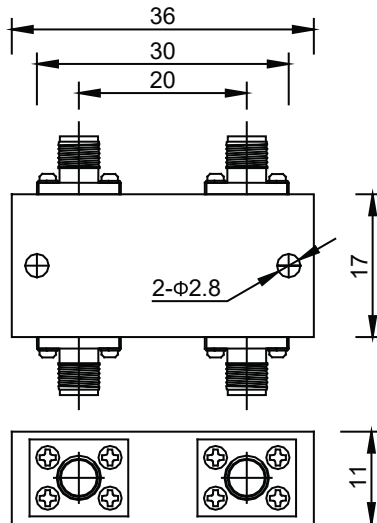
HD1



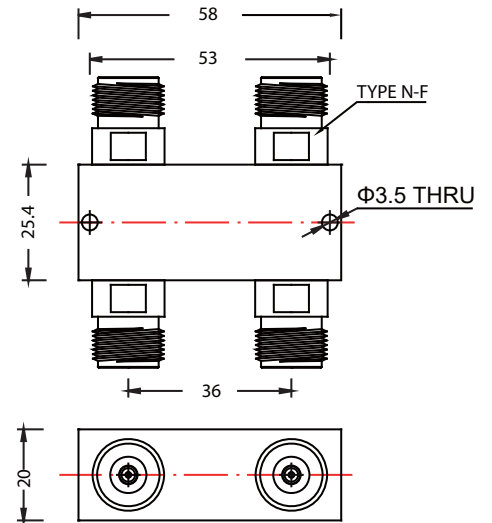
HD2



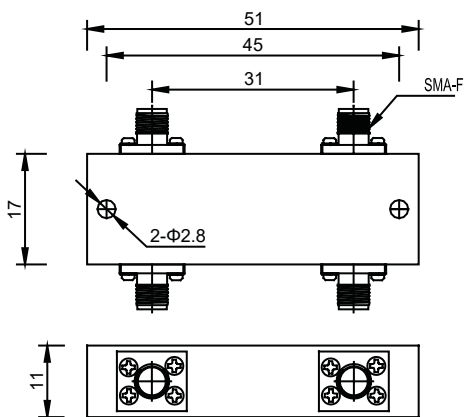
HD3



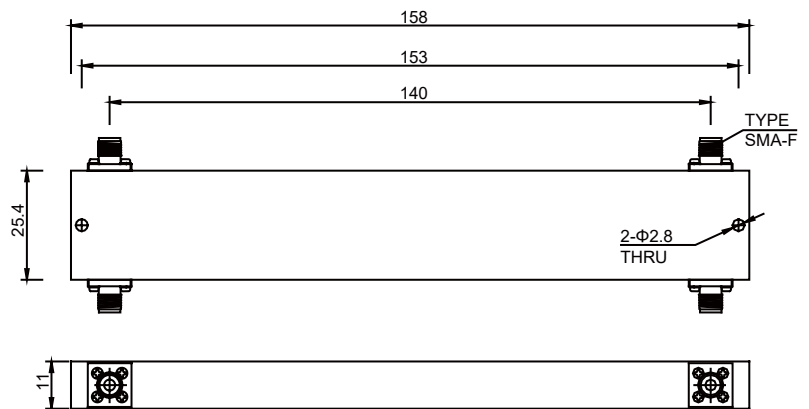
HD4



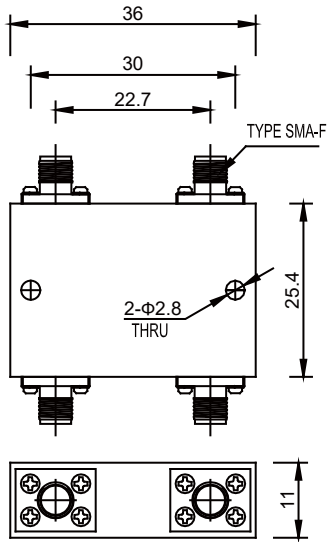
HD6



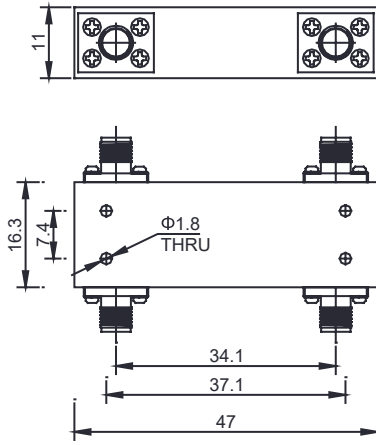
HD5



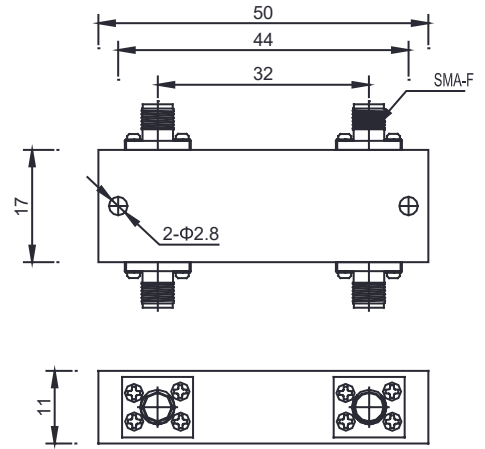
HD11



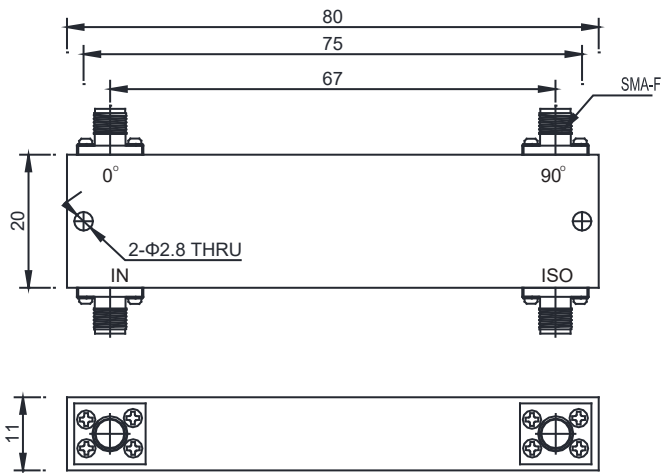
HD9



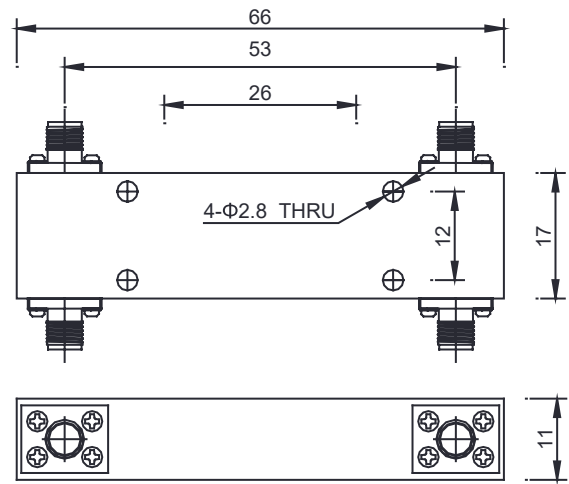
HD12



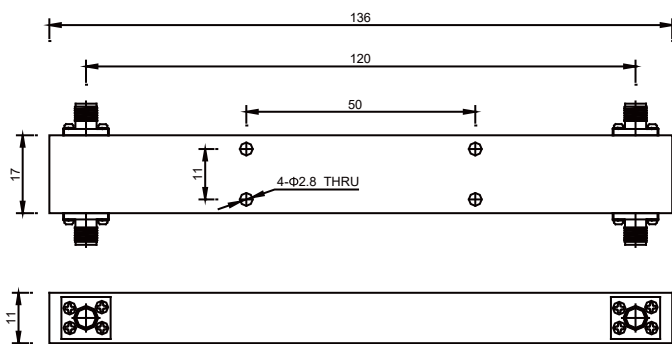
HD13



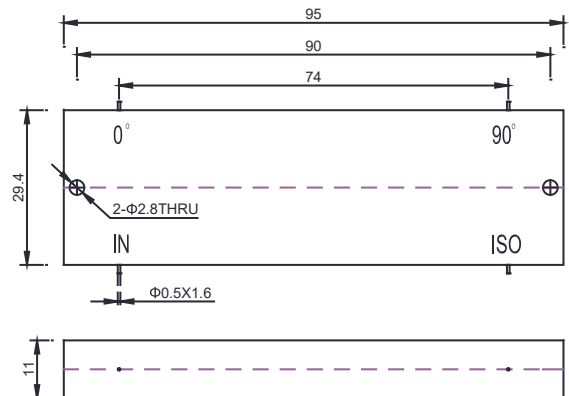
HD14



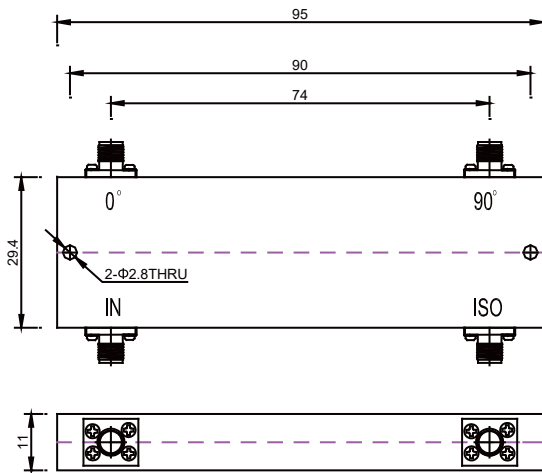
HD16



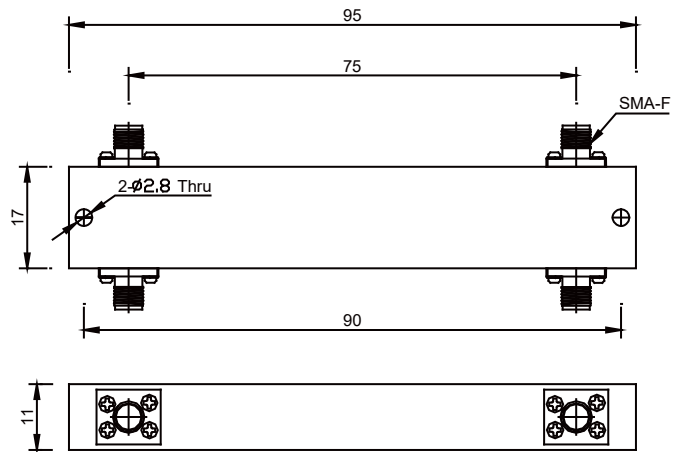
HD17



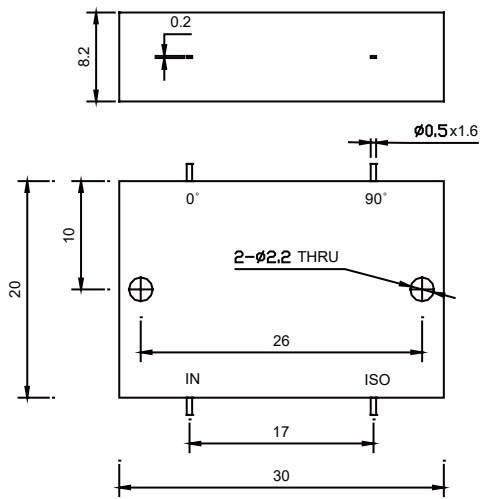
HD18



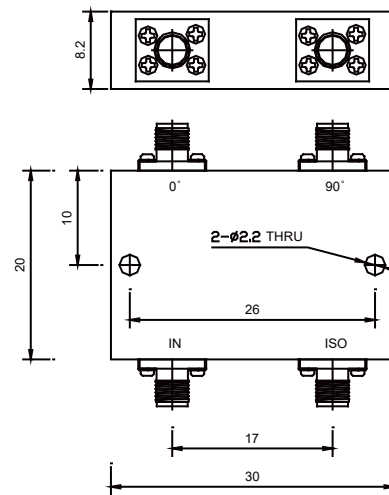
HD18(S)



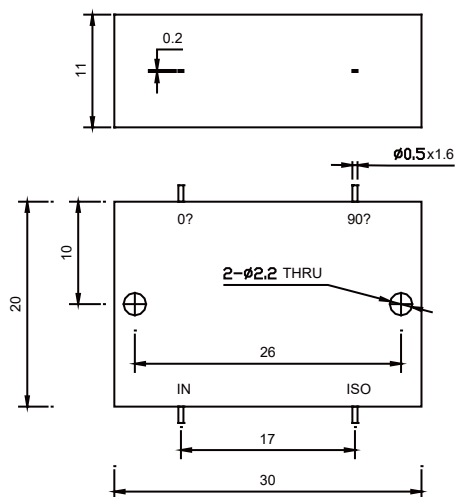
HD19



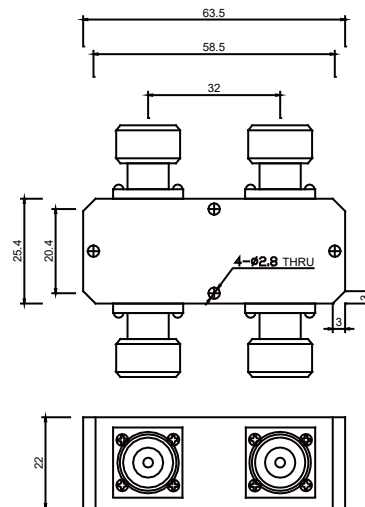
HD20(D)



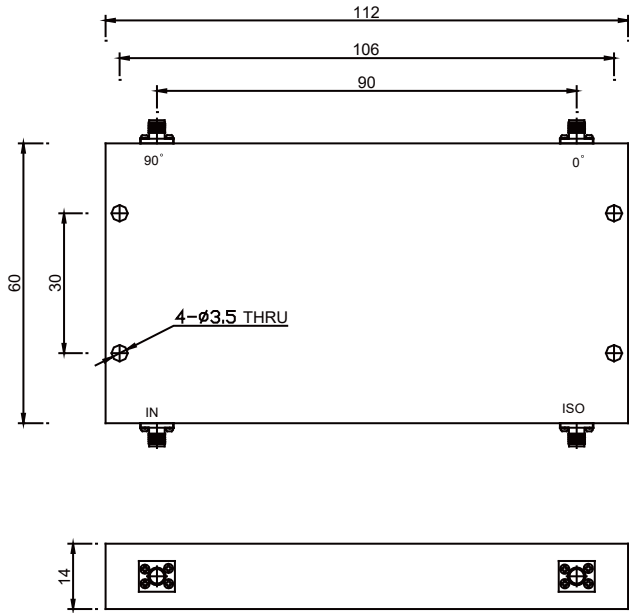
HD20



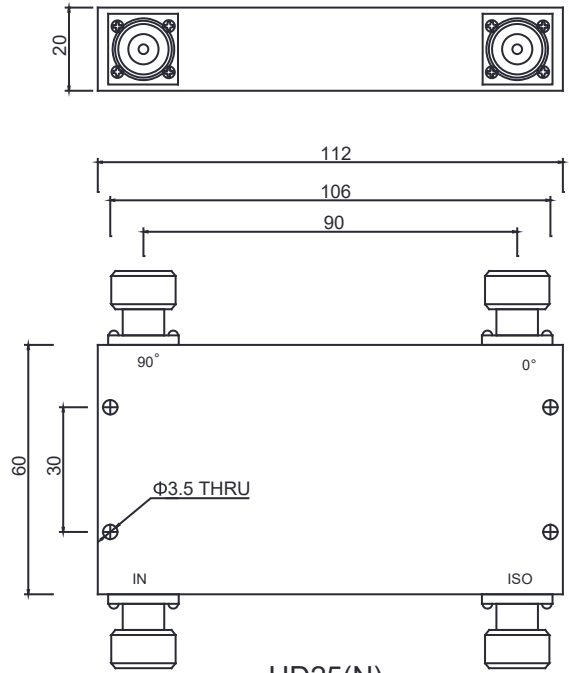
HD21(D)



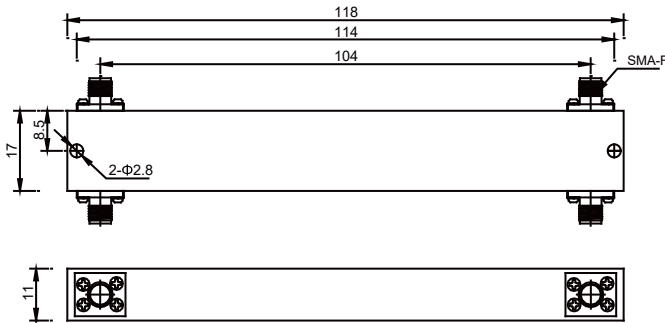
HD22(N)



HD23



HD25(N)



HD28